

Ranger and Ranger II

Universal Shoulder Series

One Size Fits All

Developed in association with sports medicine leaders, the Ranger Series achieves four main objectives:

- secure immobilization after surgery or injury,
- universal sizing,
- minimal inventory requirements and
- maximum comfort and wearability for long or short term use.



CORFLEX®

Designed for life.



Featuring one of our technology-based materials, CoolMesh™ Ag, the Ranger™ and Ranger™ II Universal Shoulder series delivers innovative, high performance solutions for a wide range of uses.

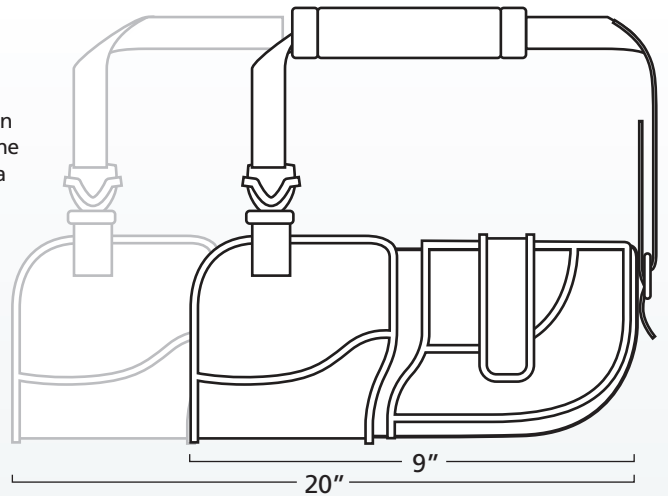
Ranger and Ranger II

Universal Shoulder Series One Size Fits All

Ranger and Ranger II products support various positioning requirements that make it easy to adapt to individual patient needs. Choose from the Ranger line with the Padded Shoulder Strap or the Ranger II line with the Comfort Shoulder Harness. All come with our revolutionary CoolMesh Ag fabric that combines moisture-wicking and antimicrobial properties for greater breathability and increased durability.

Our universal sling design fits every patient with one size. Easily adjusts from a Small up to an X-Large.

Sling adjusts in length from 9" to 20".

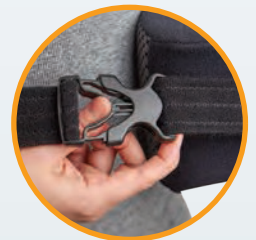


The Ranger Shoulder Pillow with Sling provides superior comfort and is designed for arm placement in approximately 15° of abduction. Ranger II Shoulder Pillow with Sling features the Comfort Harness and gives you the added benefit of our off-loading shoulder strap for improved weight distribution.



Sling is made of durable and breathable CoolMesh Ag fabric with a gusseted sling pocket for better fit and greater patient comfort.

Featuring easy release buckles for one-hand operation.



Brace converts to shoulder immobilizer in seconds.



Adjustable thumb loop promotes proper arm position in the sling.



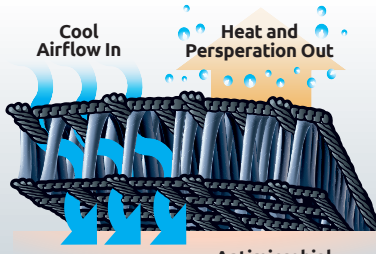
Pillow is constructed of firm density polyfoam covered with polyester and CoolMesh Ag.

How does CoolMesh Ag Work?

CoolMesh Ag combines moisture-wicking fabric with antimicrobial properties for maximum comfort, protection and durability. Our CoolMesh breathable open mesh fabric wicks moisture away from the body for evaporative cooling and improved body temperature control.

Freshness is in the Silver.

Plus, the addition of antimicrobial silver (Ag) inhibits the growth of microbes, helping products last longer while limiting odor formation. The result is a high-performance product that delivers moisture management and antimicrobial resistance to promote greater patient compliance and outcomes.



Cool Airflow In

Heat and Perspiration Out

Antimicrobial Silver Yarn

CoolMesh™ Ag
Freshness is in the Silver

Breathable CoolMesh encourages airflow and wicks moisture away from body up to 6 times faster than other fabrics.

CoolMesh Ag's specialty silver yarn permanently inhibits the growth of odor-causing bacteria, mold, mildew and algae on fabric.

The addition of the antimicrobial silver helps boost the fabrics durability and lifespan.



Designed as a harness from the outset, the Ranger II Comfort Harness evenly distributes weight over the shoulder girdle providing superior support and stabilization.



The Ranger II Comfort Harness's three-point adjustable strapping system makes it easy to apply when intravenous (IV) lines are present.



The GS Waistband adjusts shoulder abduction from 10° to 45° and rotational control from full internal rotation to 70° of external rotation.



The Ranger and Ranger II GS Shoulder Brace features a curved waistband that provides a stable platform for the arm and reduces migration. This customization meets patients individualized needs and post-surgical protocols.

Ranger and Ranger II

Universal Shoulder Series

Ranger Shoulder Series



Ranger GS Abduction Brace



Ranger Pillow with Sling



Ranger ER Pillow with Sling



Ranger Shoulder Immobilizer

Ranger Shoulder Products

Product Number

	Universal	Suggested Billing Code
Ranger GS Abduction Brace	23-2360	L-3960
Ranger Pillow with Sling	23-2060	L-3670
Ranger ER Pillow with Sling	23-2160	L-3670
Ranger Shoulder Immobilizer	23-1960	L-3650
Ranger Shoulder Sling	21-1960	—
Replacement Padded Shoulder Strap	23-2368	—

Sizing Guide

Fits waist circumference of 24"-48"

Sling fits forearm length from 9"-20" (measured from wrist to elbow)

Ranger II Shoulder Series



Ranger II GS Abduction Brace



Ranger II Pillow with Sling



Ranger II ER Pillow with Sling

Ranger II Shoulder Products

Product Number

	Universal	Suggested Billing Code
Ranger II GS Abduction Brace	23-2560	L-3960
Ranger II Pillow with Sling	23-2260	L-3660
Ranger II ER Pillow with Sling	23-2460	L-3660
Ranger II Comfort Harness	23-2367	—
Replacement Padded Shoulder Strap	23-2368	—

Sizing Guide

Fits waist circumference of 24"-48"

Sling fits forearm length from 9"-20" (measured from wrist to elbow)



All products manufactured by Corflex are Latex Free.

